

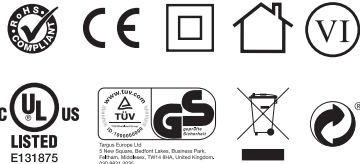
# Targus®

## 90W REPLACEMENT LAPTOP CHARGER

410-3547-003A / APA03CH

2 YEAR LIMITED WARRANTY: We pride ourselves on the quality of our products. For complete warranty details and a list of our worldwide offices, please visit [www.targus.com](http://www.targus.com)

Features and specifications are subject to change without notice. All trademarks and registered trademarks are the property of their respective owners. All rights reserved. ©2017 Manufacturer or Imported by Targus Europe Ltd., Feltham, Middlesex TW14 8HA, UK



## User Guide

---

## Table of Contents

GB – English .....	3
DE – Deutsch .....	4
FR – Français .....	5
CZ – Čeština .....	6
DK – Dansk .....	7
FI – Suomi .....	8
GR – ΕλληνικάΠληροφορίες .....	9
IT – Italiano .....	10
NL – Nederlands .....	11
NO – Norsk .....	12
PL – Polski .....	13
PT – Português .....	14
RU – РусскийИнформация .....	15

SE – Svenska .....	16
TR – Türkçe .....	17
ES – Español .....	18
AR – العربية .....	19
BG – Български (език) .....	20
HR – Hrvatski .....	21
HU – Magyar .....	22
LT – Lietuviškai .....	23
RO – Român .....	24
SK – Slovenčina .....	25
SL – Slovensko .....	26
LV – Latviešu .....	27
EE – Eesti .....	28

---

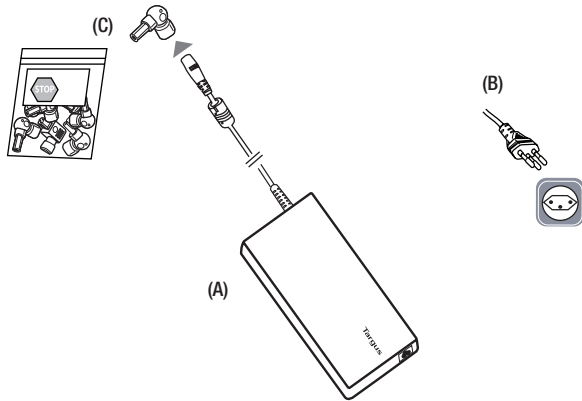
GB

## Introduction

Thank you for purchasing the Targus 90W Replacement Laptop Charger.

### Contents

- (A) Targus 90W Replacement Laptop Charger
- (B) CH Power Cord
- (C) 10 Power Tips



### Electrical Rating

90W Replacement Laptop Charger  
Input: 100V-240V AC, 50-60Hz, 1.6A  
Output: 19V-4.74A, 90W Max

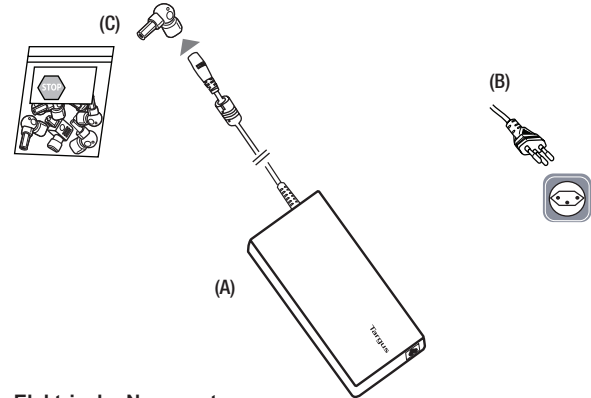
DE

## Einführung

Vielen Dank, dass Sie sich für das 90-W-Ersatzladegerät für Notebooks von Targus entschieden haben.

### Inhalt

- (A) Targus 90-W-Ersatz-Ladegerät für Notebooks
- (B) Netzkabel CH
- (C) 10 Adapterstecker



### Elektrische Nennwerte

90-W-Ersatz-Ladegerät für Notebooks  
Eingang: 100 V-240 V AC, 50-60 Hz, 1,6 A  
Ausgang: 19 V-4,74 A, max. 90 W

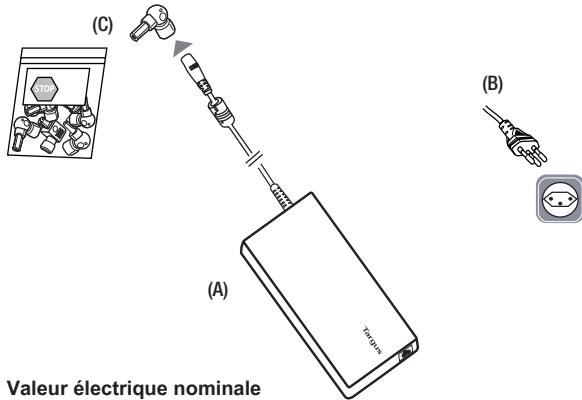
FR

## Introduction

Merci pour votre achat du chargeur de remplacement pour ordinateur portable 90 W de Targus.

### Sommaire

- (A) Chargeur de remplacement pour ordinateur portable 90 W de Targus
- (B) Cordon d'alimentation CH
- (C) 10 Connecteurs d'alimentation



### Valeur électrique nominale

Chargeur de remplacement pour ordinateur portable 90 W  
Entrée : 100 V-240 V CA, 50-60 Hz, 1,6 A  
Sortie : 19 V-4,74 A, 90 W maxi.

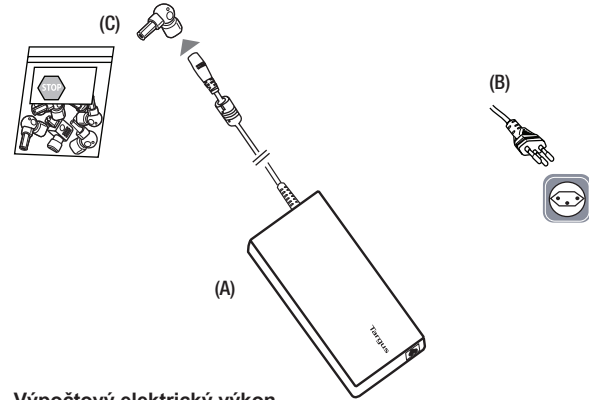
CZ

## Úvod

Děkujeme Vám za nákup 90W náhradní nabíječky pro notebook Targus.

### Obsah

- (A) 90W náhradní nabíječka pro notebook Targus
- (B) CH napájecí kabel
- (C) 10 napájecích hrotů



### Výpočtový elektrický výkon

90W náhradní nabíječka pro notebook  
Vstup: 100 V až 240V, AC, 50 až 60 Hz, 1,6 A  
Výstup: 19 V - 4,74 A, max. 90 W

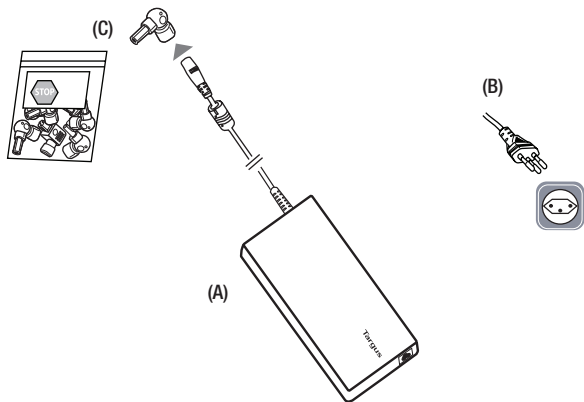
DK

## Vejledning

Tak for dit køb af Targus 90W Replacement Laptop oplader.

### Indhold

- (A) Targus 90W Replacement Laptop oplader
- (B) CH strømledning
- (C) 10 strømstik



### Elektrisk klassificering

90 W Replacement Laptop oplader  
Input: 100 V - 240 V AC, 50-60 Hz, 1.6 A  
Output: 19 V - 4.74 A, 90 W Maks.

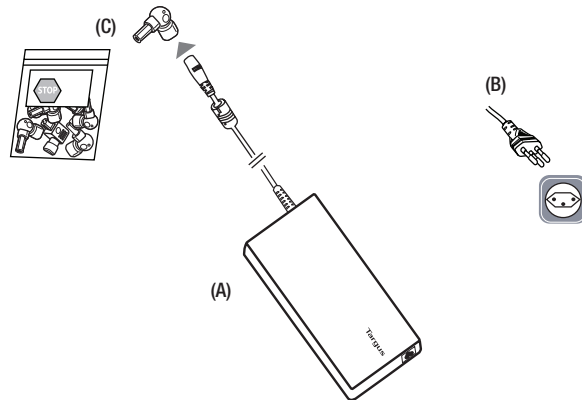
FI

## Johdanto

Kiitos Targus 90W Replacement Laptop Charger -laturin ostamisesta.

### Sisältö

- (A) Targus 90W Replacement Laptop Charger
- (B) Sveitsissä käytettävä virtajohto
- (C) 10 virransyöttökärkeä



### Sähköinen luokitus

90W Replacement Laptop Charger  
Tulo: 100-240 V AC, 50-60 Hz, 1,6 A  
Lähtö: 19 V, 4,74 A, enintään 90 W

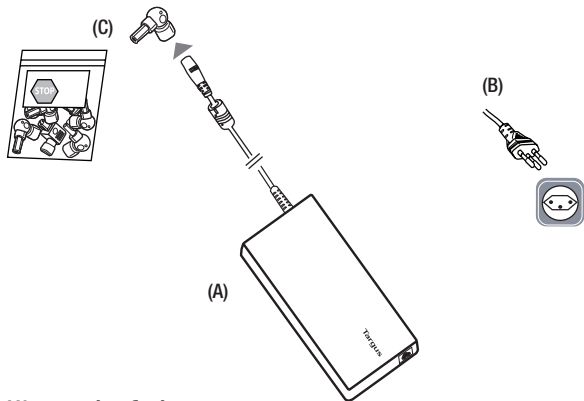
GR

## Εισαγωγή

Σας ευχαριστούμε που αγοράσατε τον εφεδρικό φορτιστή Targus 90W για Laptop.

### Περιεχόμενα

- (A) Εφεδρικός φορτιστής Targus 90W για Laptop
- (B) Καλώδιο τροφοδοσίας CH
- (Γ) 10 βύσματα τροφοδοσίας



### Ηλεκτρική ταξινόμηση

Εφεδρικός φορτιστής 90W για Laptop  
Τάση εισόδου: 100V-240V AC, 50-60Hz, 1,6A  
Τάση εξόδου: 19V-4,74A, 90W Max

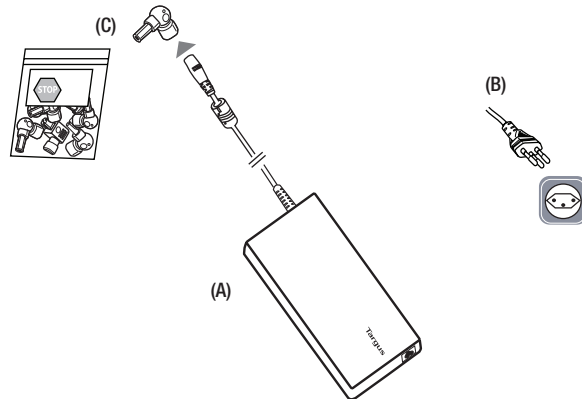
IT

## Introduzione

Grazie per avere acquistato il Caricabatterie di ricambio per computer portatile 90W di Targus.

### Contenuto

- (A) Caricabatterie di ricambio per computer portatile 90W di Targus
- (B) Cavo di alimentazione CH
- (C) 10 connettori di alimentazione



### Dati elettrici nominali

Caricabatterie di ricambio per computer portatile 90W  
Ingresso: 100V-240V CA, 50-60Hz, 1,6A  
Uscita: 19V-4,74A, 90W Max.

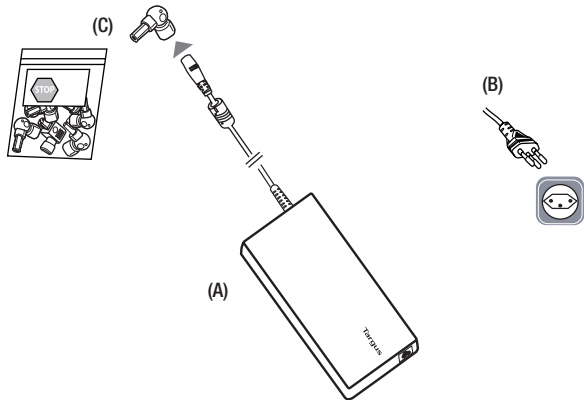
NL

## Inleiding

Hartelijk dank voor uw aankoop van de Targus vervangende laptoplader van 90W.

### Inhoud

- (A) Targus vervangende laptoplader van 90W
- (B) Zwitsers stroomsnoer
- (C) 10 voedingstips



### Elektrisch vermogen

Vervangende laptoplader van 90W  
Ingang: 100V-240VAC, 50-60Hz, 1,6A  
Uitgang: 19V-4,74A, 90W max.

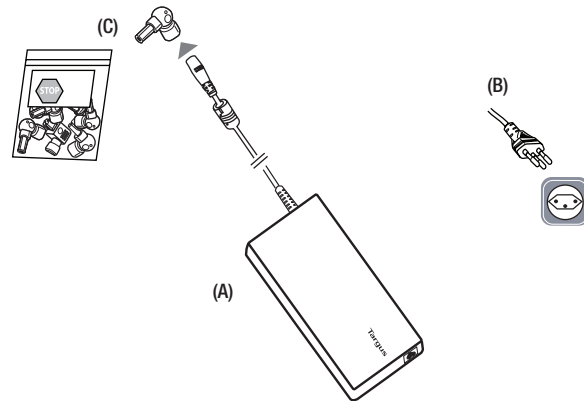
NO

## Innledning

Takk for kjøpet av Targus 90 W reservelader for bærbare.

### Innhold

- (A) Targus 90 W reservelader for bærbare
- (B) Strømledning for Sveits
- (C) 10 strømtips



### Elektrisitet

90 W reservelader for bærbare  
Inngående: 100V-240V AC, 50-60Hz, 1,6A  
Ut: 19V-4.74A, 90W Maks

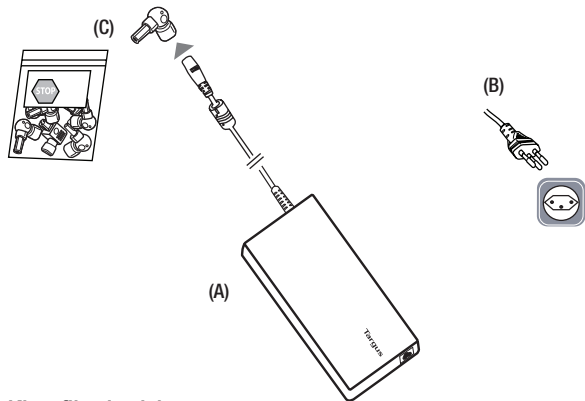
PL

## Wprowadzenie

Dziękujemy za zakup zamiennej ładowarki Targus 90W do laptopa.

### Zawartość

- (A) Zamienna ładowarka Targus 90W do laptopa
- (B) Przewód zasilający szwajcarskiej
- (C) 10 końcówek przewodu zasilającego



### Klasyfikacja elektryczna

Zamienna ładowarka 90W do laptopa  
Wejście: 100V-240V AC, 50-60Hz, 1,6A  
Wyjście: 19V-4,74A, maks. 90W

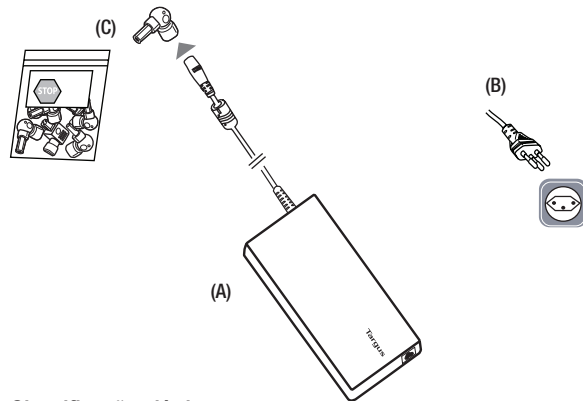
PT

## Introdução

Obrigado por ter adquirido o Carregador de Substituição de 90 W Targus para Computadores Portáteis.

### Conteúdo

- (A) Carregador de Substituição de 90 W Targus para Computadores Portáteis
- (B) Cabo de alimentação CH
- (C) 10 pontas de energia



### Classificação elétrica

Carregador de Substituição de 90 W para Computadores Portáteis  
Entrada: 100 V-240 V CA, 50-60Hz, 1,6 A  
Saída: 19 V-4,74 A, 90 W máx.



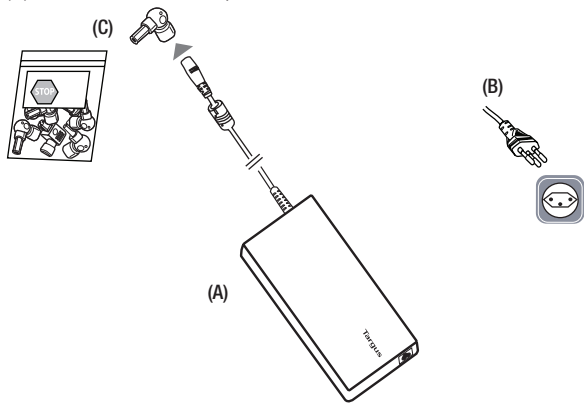
RU

## Вводная информация

Благодарим Вас за приобретение сменного зарядного устройства 90 Вт Targus для ноутбука.

### Содержимое

- (A) Сменное зарядное устройство 90 Вт Targus для ноутбука
- (B) Шнур питания швейцарского стандарта
- (C) 10 наконечников для зарядки



### Расчетная электрическая мощность

Сменное зарядное устройство 90 Вт для ноутбука  
Вход: 100 В - 240 В перем. тока, 50-60 Гц, 1,6 А  
Выход: 19 В - 4,74 А, 90 Вт макс.

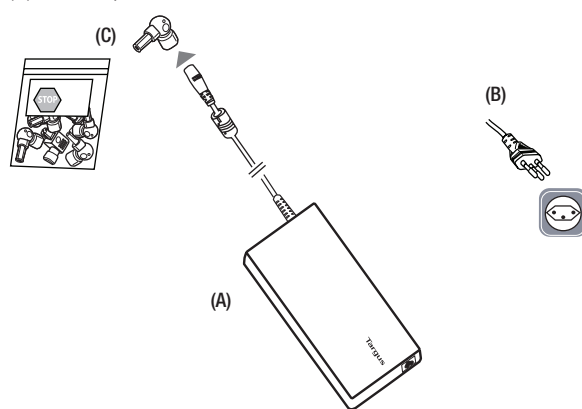
SE

## “Introduktion”

Tack för att du köpt Targus 90W ersättningsladdare för bärbar dator.

### Innehåll

- (A) Targus 90W ersättningsladdare för bärbar dator
- (B) CH-nätkabel
- (C) 10 strömtips



### Elektrisk märkning

90W ersättningsladdare för bärbar dator  
Ineffekt: 100V-240VAC, 50-60Hz, 1,6A  
Output: 19V-4,74A, 90W max

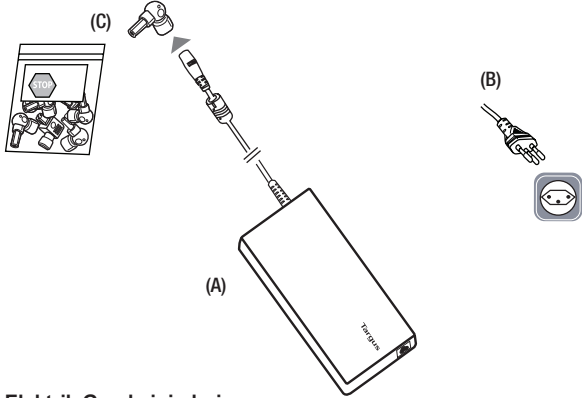
TR

## Giriş

Targus 90W Yedek Laptop Şarj Cihazını satın aldığınız için teşekkür ederiz.

### İçindekiler

- (A) Targus 90W Yedek Laptop Şarj Cihazı
- (B) CH Güç Kablosu
- (C) Güce İlişkin 10 İpucu



### Elektrik Gereksinimleri

90W Yedek Laptop Şarj Cihazı  
Giriş: 100V-240VAC, 50-60Hz, 1.6A  
Çıkış: 19V-4.74A, 90W Maks.

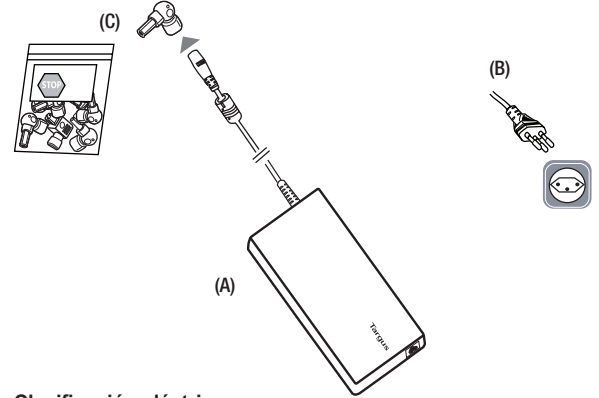
ES

## Introducción

Gracias por adquirir el cargador Targus de sustitución para portátil de 90 W.

### Contenido

- (A) Cargador Targus de sustitución para portátil de 90 W
- (B) Cable de alimentación con enchufe suizo
- (C) 10 clavijas de toma de alimentación



### Clasificación eléctrica

Cargador de sustitución para portátil de 90 W  
Entrada: 100-240 V CA, 50-60 Hz, 1,6 A  
Salida: 19V - 4,74 A, 90 W máx

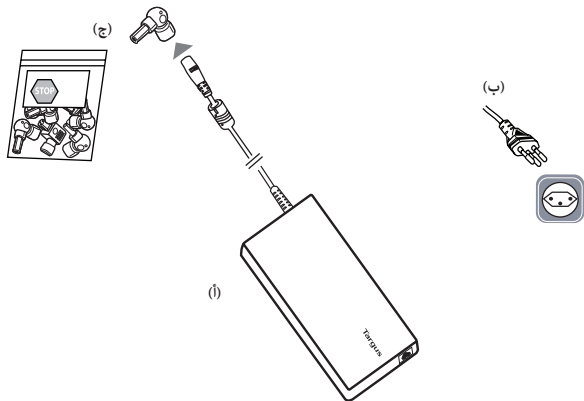
AR

### مقدمة

شكراً لك على شرائك شاحن كمبيوتر محمول بديل 90 واط من تارجوس

### المحتويات

- (أ) شاحن كمبيوتر محمول بديل 90 واط من تارجوس  
(ب) كابل طاقة لسويسرا  
(ج) 10 أطراف للطاقة



### معدل استخدام الطاقة الكهربائية

شاحن كمبيوتر محمول بديل 90 واط  
الدخل: 100 فولت - 270 فولت تيار متردد، 50 - هيرتز، 1.6 أمبير  
الخرج: 19 فولت - 4.7 أمبير، 90 واط بحد أقصى

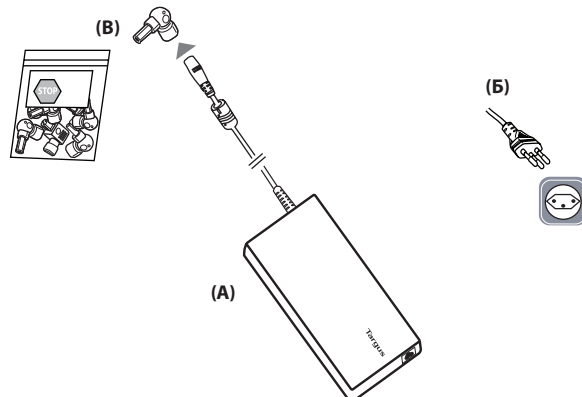
BG

### Въведение

Благодарим ви, че закупихте заместващо зарядно устройство за лаптоп Targus 90 W.

### Съдържание

- (A) Заместващо зарядно устройство за лаптоп Targus 90 W  
(Б) Захранващ кабел за Швейцария  
(B) 10 накрайника за захранване



### Номинални стойности на електричеството

Заместващо зарядно устройство за лаптоп 90 W  
Входящо напрежение: 100 V – 240 V AC, 50 – 60 Hz, 1,6 A  
Изходящо напрежение: 19 V – 4,74 A, 90 W макс.

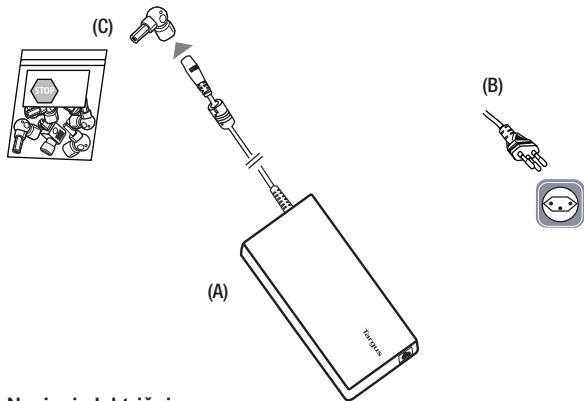
HR

## Uvod

Zahvaljujemo na kupnji zamjenskog punjača prijenosnog računala od 90 W tvrtke Targus.

### Sadržaj

- (A) Zamjenski punjač prijenosnog računala od 90W tvrtke Targus.
- (B) CH strujni kabel
- (C) 10 savjeta o struji



### Nazivni električni napon

Zamjenski punjač prijenosnog računala od 90 W  
Ulaz: 100 V – 240 V AC, 50 – 60 Hz, 1,6 A  
Izlaz: 19 V-4,74 A, 90 W maks.

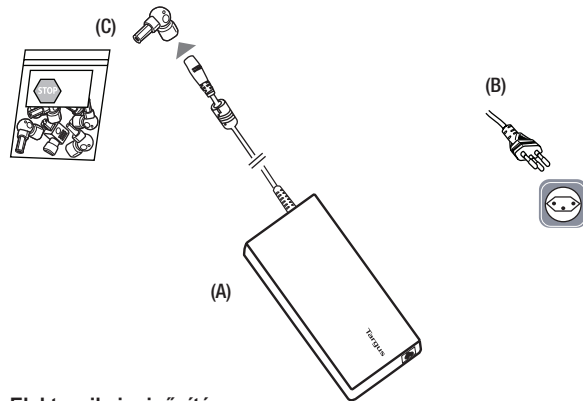
HU

## Bevezetés

Köszönjük, hogy megvásárolta a Targus 90 W-os helyettesítő laptopöltőt.

### Tartalom

- (A) Targus 90 W-os helyettesítő laptopöltő
- (B) CH tápkábel
- (C) 10 töltőcsúcs



### Elektronikai minősítés

90 W-os helyettesítő laptopöltő  
Bemenet: 100-240 V AC, 50-60 Hz, 1,6 A  
Kimenet: 19 V - 4,74 A, 90 W max.

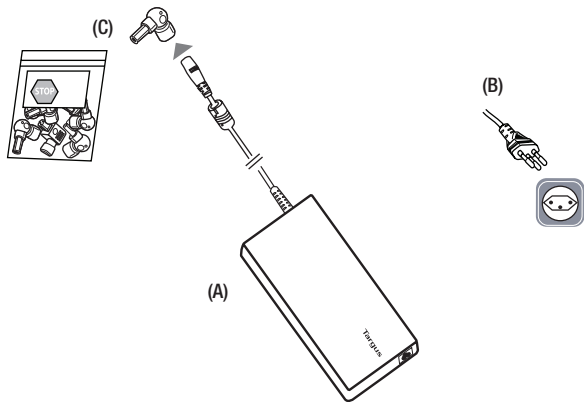
LT

## Įžanga

Dėkojame, kad nusipirkote „Targus“ atsarginį nešiojamojo kompiuterio 90 W įkroviklį.

### Sudėtinės dalys

- (A) „Targus“ atsarginis nešiojamojo kompiuterio 90 W įkroviklis
- (B) Šveicarijos maitinimo laidas
- (C) 10 maitinimo antgalių



### Elektros charakteristikos

Atsarginis nešiojamojo kompiuterio 90 W įkroviklis  
Įvadas: 100–240 V kint. srovė, 50–60 Hz, maks. 1,6 A  
Išvadas: 19–4,74 A, maks. 90 W

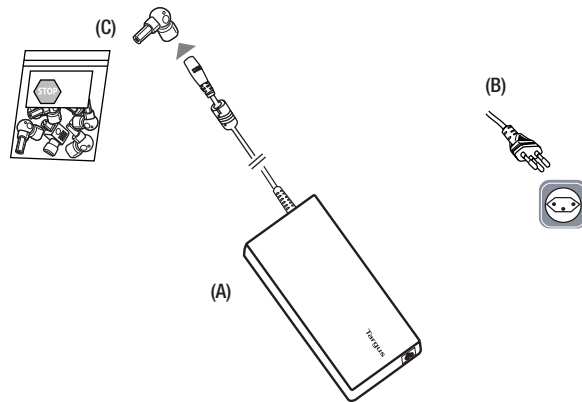
RO

## Introducere

Vă mulțumim pentru achiziționarea încărcătorului de schimb Targus pentru laptop, de 90 W.

### Conținut

- (A) Încărcător de schimb Targus pentru laptop, 90 W
- (B) Cablu de alimentare tip elvețian
- (C) 10 mufe de alimentare



### Putere nominală

Încărcător de schimb pentru laptop, 90 W  
Intrare: 100V-240VCA, 50-60Hz, 1,6A  
Ieșire: 19 V - 4,74 A, 90 W Max

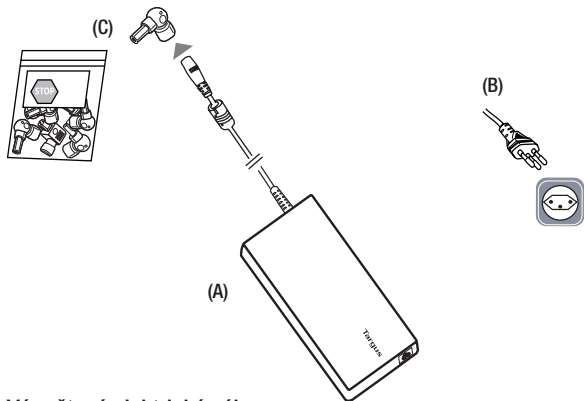
SK

## Úvod

Ďakujeme, že ste si kúpili Targus 90W náhradnú nabíjačku na notebook.

### Obsah

- (A) Targus 90W náhradná nabíjačka na notebook
- (B) Sieťový kábel CH
- (C) 10 sieťových koncoviek



### Výpočtový elektrický výkon

90W Náhradná nabíjačka na notebook  
Vstup: 100 V – 240 V AC, 50 – 60 Hz, 1,6 A  
Výstup: 19 V – 4,74 A, 90 W max

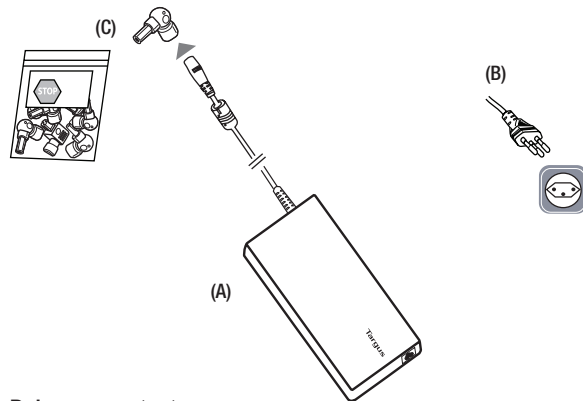
SL

## Uvod

Zahvalujemo se vam za nakup nadomestnega napajalnika Targus 90 W.

### Vsebina

- (A) Nadomestni napajalnik Targus za prenosni računalnik 90 W
- (B) Napajalni kabel švicarskim priključkom
- (C) 10 nasvetov za polnjenje



### Delovna napetost

Nadomestni napajalnik za prenosni računalnik 90 W  
Vhodna napetost: 100–240 V AC, 50–60 Hz, 1,6 A  
Izhodna napetost: 19 V–4,74 A, najv. 90 W

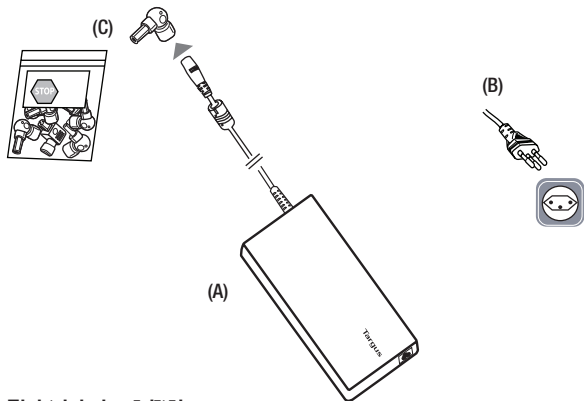
LV

## Ievads

Paldies, ka iegādājāties Targus 90W klēpdatora maiņas lādētāju.

### Saturs

- (A) Targus 90 W klēpdatora maiņas lādētājs
- (B) Šveices strāvas vads
- (C) 10 padomi saistībā ar strāvu



### Elektriskais rādītājs

90W klēpdatora maiņas lādētājs  
Ievade: 100V-240VAC, 50-60Hz, 1,6A  
Izeža: 19V-4,74A, maks. 90W

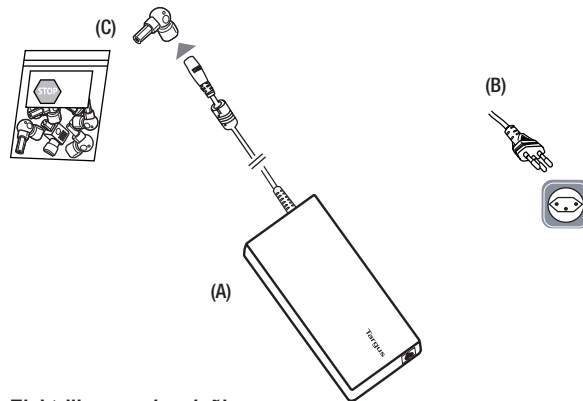
EE

## Tutvustus

Tānāme teid Targuse 90 W sūleavuti asenduslaadija ostmise eest.

### Sisu

- (A) Targuse 90 W asenduslaadija sūleavutile
- (B) Šveitsi toitejuhe
- (C) 10 juhtmeotsakut



### Elektriline nominaalvõimsus

90 W asenduslaadija sūleavutile  
Toide: 100V-240VAC, 50-60Hz, 1,6A  
Võimsus: 19V-4,74A, 90W max

---

## Technical Support

For technical questions, please visit:

### Internet

English <http://www.targus.com/uk/support>  
French <http://www.targus.com/fr/support>  
German <http://www.targus.com/de/support>  
Spanish <http://www.targus.com/es/support>

### Telephone

Austria	+43 1-795-676-42	Norway	+47 022577729
Belgium	+32 (0)2-717-2451	Portugal	+351 21-415-4123
Denmark	+45 35-25-87-51	Spain	+34 91-745-6221
Finland	+358 (0)922948016	Sweden	+46 (0)8-751-4058
France	+33 (0)1-6453-9151	Switzerland	+41 44-212-0007
Germany	+49 (0)211-6579-1151	United Kingdom	+44 (0)20-7744-0330
Italy	+39 02-4827-1151	Eastern Europe & others	+44 (0)20-7744-0330
Netherlands	+31 (0)20-504671		

---

## Warranty

**2 YEAR LIMITED WARRANTY:** We pride ourselves on the quality of our products. For complete warranty details and a list of our worldwide offices, please visit [www.targus.com](http://www.targus.com)

Features and specifications are subject to change without notice. All trademarks and registered trademarks are the property of their respective owners. All rights reserved. ©2017 Manufacturer or Imported by Targus Europe Ltd., Feltham, Middlesex TW14 8HA, UK

## Regulatory Compliance (applicable to products with electronic circuitry/parts only)

This device complies with Part 15 of the FCC Rules. Operation is subject to the following two conditions: (1) This device may not cause harmful interference, and (2) this device must accept any interference received, including interference that may cause undesired operation.



---

## FCC Statement

### Tested to Comply

This equipment has been tested and found to comply with the limits of a Class B digital device, pursuant to Part 15 of the FCC Rules. These limits are designed to provide reasonable protection against harmful interference in a residential installation. This equipment generates, uses, and can radiate radio frequency energy, and if not installed and used in accordance with the instructions may cause harmful interference to radio communications. However, there is no guarantee that interference will not occur in a particular installation. If this equipment does cause harmful interference to radio or television reception, which can be determined by turning the equipment off and on, the user is encouraged to try to correct the interference by one or more of the following measures:

- Reorient or relocate the receiving antenna;
- Increase the separation between the equipment and receiver;
- Connect the equipment into an outlet on a circuit different from that to which the receiver is connected;
- Consult the dealer or an experienced radio/TV technician for help

Changes or modifications not authorized by the party responsible for compliance could void the user's authority to operate this product.

---

## Declaration of Conformity

Targus hereby declares that this device is in compliance with the essential requirements and other relevant provisions of Directive 2014/30/EU.

## Targus Recycling Directive

At the end of this product's useful life please dispose at an appropriate recycling collection point provided in your country.